

Data Sheet

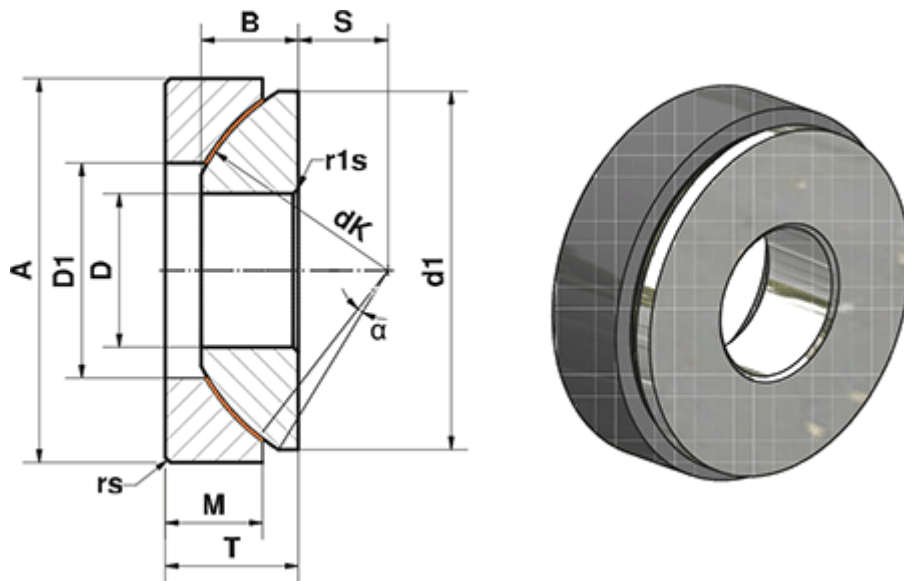


Article number: 03450120

Description: Fluro Heavy Duty Spherical Plain Bearing GE 120 AWE
Hole \varnothing 120

Note: 120

Measures



A	= 230	M	= 50
a (degrees)	= 3	rs, r1s min	= 1.5
B	= 53.5	S	= 52.5
D	= 120	Static load C0 (kN)	= 8162
D1	= 155	T	= 64
d1 min	= 220	Weight (g)	= 14000
dK	= 250		
Dynamic load C (kN)	= 4897		